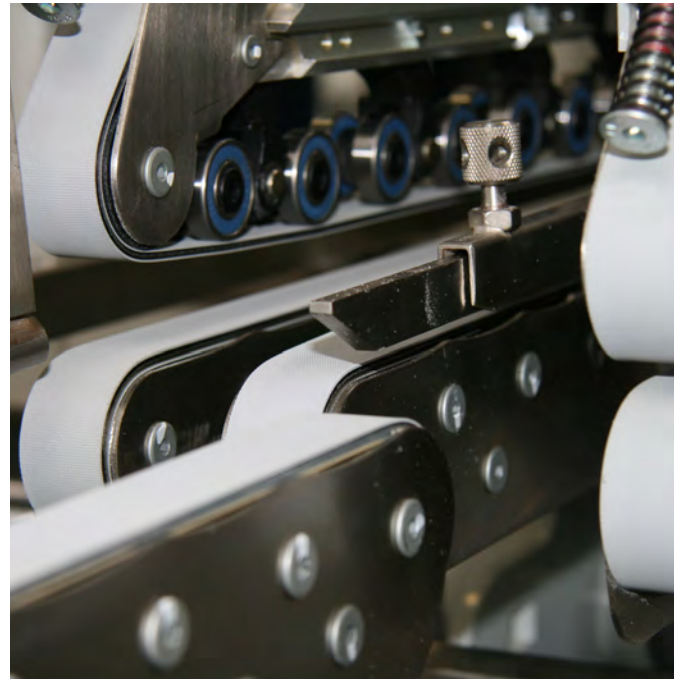
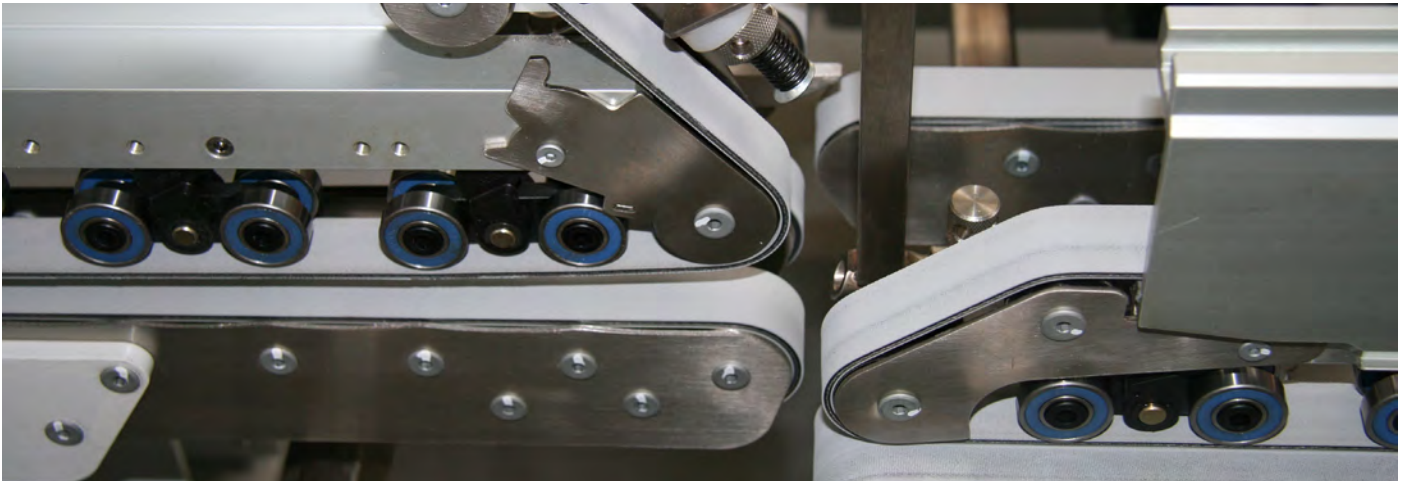


RAPPLON® Folder Gluer Belts for the Carton Box Industry





Our problem solver when speed and flexibility are vital

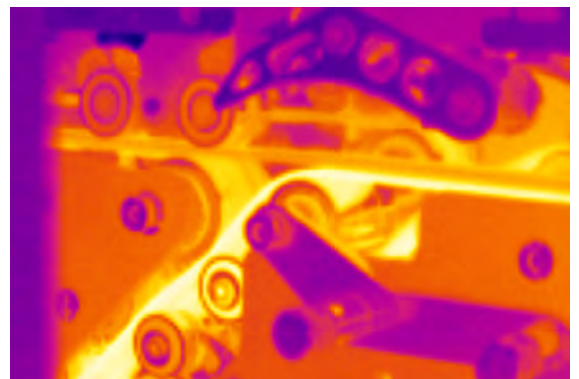
Our commitment to innovation has led to a new series of RAPPLON® Folder Gluer Belts, improved to provide better performance on state of the art high speed Folder Gluers.

With long service lives, excellent grip for paper and carton, outstanding resistance to abrasion and paper dust for hassle-free maintenance, plus the availability of EC and FDA approved Food Grade Covers, these new belts can boost productivity, reduce downtime and cut energy use and costs year in and year out.

RAPPLON® QuickSplice Folder Gluer Belts have the lowest energy consumption in the market compared to other belts.

The innovative belt design results in less self-heating of the belts (temperatures are approx 20% lower compared to other belts under the same condition).

Achieve important energy savings
with our QuickSplice Belts



Be in line with the times



Food packaging
Food Grade Belts



Dry foods, such as pasta, are packed directly into carton boxes. During box folding and gluing only belts are in contact with the pack and a potential source for contamination. RAPPLON® Folder Gluer Belts with Food Grade covers meet both FDA and EC standards for contact with dry foodstuffs giving extra peace of mind to food carton manufacturers.

Specialised belt for the feeding

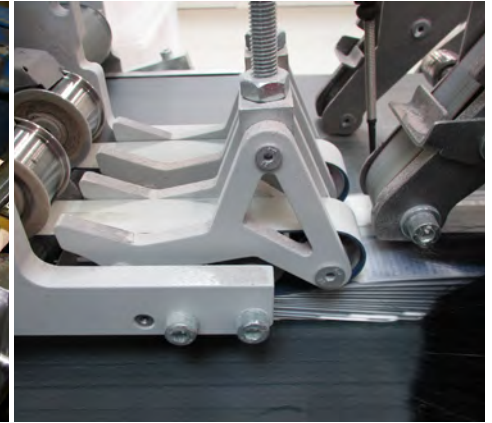


Ultrafeed 500

Ultrafeed 500 belts with exclusive Carmi-Tech compound outperform standard products in a wide variety of feed belt applications.

- Laboratory tests rank Carmi-Tech CS20 number 1 for wear resistance using ISO 4649 standards.
- Field testing of Ultrafeed 500 feed belts resulted in a 5-10 fold increase in belt life expectancy.

Proven font press belts



54559 UV E06.20 FQ

In place of the originally often fitted truly endless woven belts or leather covered belts, RAPPLON® UV E06.20 FQ have proven their duty. With normal endless joint and at lower price.

- Fleece cover for gentle handling and non marking of boxes.
- Longer service life due to more flexible material.

Unique features offering outstanding advantages for your benefit

Features	Advantage	Benefits
High modulus Polyester fabric tensile member*	Extremely flexible No elongation Dimensional stable	Lowest energy consumption No re-tensioning necessary Just fit and forget
High modulus Polyamide foil tensile member**	Shock absorbing Easy on bearings	Easy installation and tracking
High edge resistance	Less Edge fraying	Long service life, no hygienic issues
XNBR grade rubber covers	Abrasion and wear resistant Excellent grip at high speed	Extended service life Increased output per hour
Food grade rubber covers	No contamination of boxes	Ideal for sensitive packaging for food or pharmaceutical
High elasticity	Low load on shafts and bearings	Simple tracking, easy on bearings
QuickSplice*	Quick and simple splicing with QSP-Tools	Safe joint, perfectly aligned, everybody can splice

* Benefits for QuickSplice Belts ** Benefits for Classic Belts



Innovation & Service in Belting

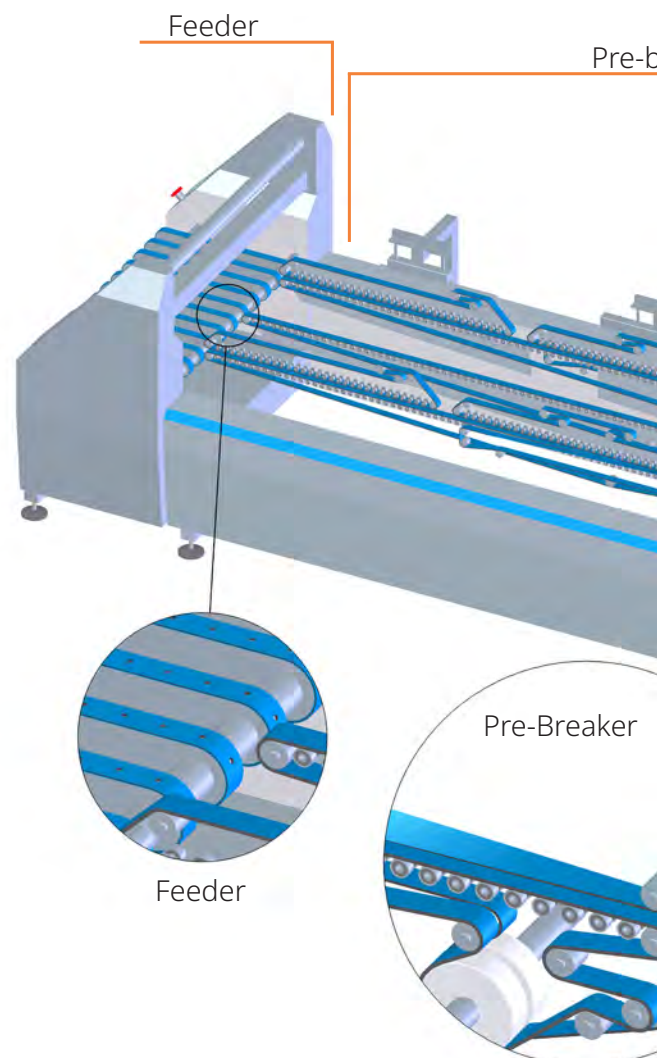
Available in either Classic or QuickSplice designs, RAPPLON® Folder Gluer Belts ensure precise transport and folding of carton blanks at very high speeds for nearly all applications across industry needs, including food and pharmaceutical packaging with our high-quality EC and FDA-approved Food Grade covers.

QuickSplice design

- Safe, reliable and rapid finger splice for fast belt replacement
- Safe and easy belt tracking, even at speeds as high as 700 m/min
- Energy-saving design, up to 14% lower energy consumption compared to market standard*
- Suitable for running in both directions
- Dimensionally stable polyester core – no re-tensioning required

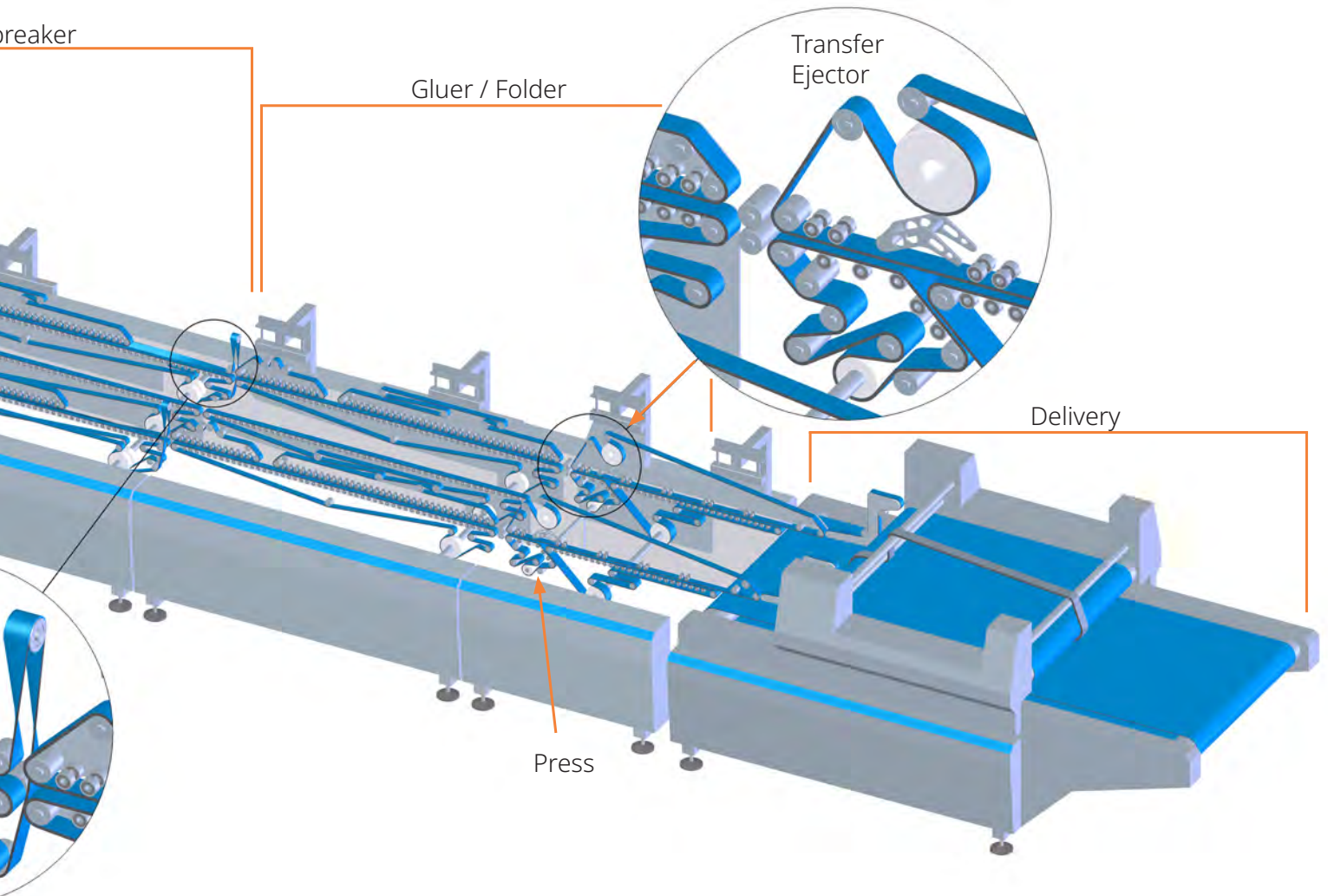
Classic design

- Traditional splice technology with skived and glued joint
- PA foil tension member
- FDA and EC Food Grade covers
- Outstanding edge stability gives no edge fraying
- Can be used in applications with temperatures up to 80 °C



Technical Data – RAPPLON® Food Grade Folder Gluer Belts

Item code	RAPPLON® belt description	Thickness in mm	Force / belt factor at 1% elongation in N/mm	Recommended elongation	Min. pulley Ø in mm	Temperature range in °C	Antistatic
Application – Feeder Belts							
Ultrafeed 500							
54705	GT S04.25 RC + NRS 040 red	6.5	4.0	0.6 – 1.0%	40.0	0 to 80	yes
Application – Folder / Transport belt							
54273	RAPPLON® GG S04.30 RRC green	3.0	4.0	0.6 – 1.0%	30.0	0 to 80	yes
54164	RAPPLON® GG S04.40 RRC green	4.0	4.0	0.6 – 1.0%	30.0	0 to 80	yes
54783	RAPPLON® GG S04.30 RRC FG	3.0	4.0	0.6 – 1.0%	25.0	0 to 80	yes
54784	RAPPLON® GG S04.40 RRC FG	4.0	4.0	0.6 – 1.0%	30.0	0 to 80	yes
54274	RAPPLON® GG S06.30 RRC green	3.0	6.0	0.6 – 1.0%	30.0	0 to 80	yes
54145	RAPPLON® GG S06.40 RRC green	4.0	6.0	0.6 – 1.0%	40.0	0 to 80	yes
54275	RAPPLON® GG S06.50 RRC green	5.0	6.0	0.6 – 1.0%	50.0	0 to 80	yes
54276	RAPPLON® GG S06.60 RRC green	6.0	6.0	0.6 – 1.0%	60.0	0 to 80	yes
54780	RAPPLON® GG S06.30 RRC FG	3.0	6.0	0.6 – 1.0%	30.0	0 to 80	yes
54781	RAPPLON® GG S06.40 RRC FG	4.0	6.0	0.6 – 1.0%	40.0	0 to 80	yes
54782	RAPPLON® GG S06.55 RRC FG	5.5	6.0	0.6 – 1.0%	60.0	0 to 80	yes
54659	RAPPLON® GG E10.30 RRQ FG	3.0	10.0	0.4 – 0.6%	30.0	0 to 60	yes
54660	RAPPLON® GG E10.40 RRQ FG	4.0	10.0	0.4 – 0.6%	40.0	0 to 60	yes
54662	RAPPLON® GG E10.55 RRQ FG	5.5	10.0	0.4 – 0.6%	60.0	0 to 60	yes
Application – Transfer section							
54559	RAPPLON® UV E06.20 FQ	2.0		0.4 – 0.6%	20.0	0 to 60	yes
Application – Press and Delivery Section							
54525	RAPPLON® TG P03.12 FC	1.25	3.0	0.2 – 0.6%	25.0	0 to 80	yes
54265	RAPPLON® TG P04.20 RC	2.0	3.8	0.2 – 0.6%	25.0	0 to 80	yes
54266	RAPPLON® TG P07.30 RC	2.9	7.0	0.2 – 0.6%	50.0	0 to 80	yes
57239	RAPPLON® TG E18.20 P5C	1.9	18.0	0.2 – 0.6%	60.0	0 to 80	yes





Flexo Folder Gluer Systems

For your high-speed cases, 54790 RAPPLON® GG S06.70 RP6C

Accurately folding the blanks in Flexo Folder Gluers and Case Makers at maximum production speed - this is the goal of RAPPLON® Flexo Folder Gluer belts. The folding section requires specific belts to process the blanks without slippage and guarantee a high production speed. The carboxylate rubber cover offer excellent grip and avoid marking of the blanks.

Upgrade high speed case makers with our GG S06.70 RP6C:

- Extremely high edge resistance, no edge fraying
- Wear resistant XNBR rubber covers
- P6 structure offer excellent grip of carton
- Safe transport at high speed
- High elasticity
- Low load on shafts and bearings

Our problemsolver to folder gluer system
when speed and flexibility are vital



Excellent grip of carton and increased output thanks to wear resistant XNBR Elastomer cover with P6 structure.



Polyamide foil tensile member offer high flexibility and edge stability.

Technical data

Item code	RAPPLON® belt description	Thickness in mm	Force / belt factor at 1% elongation	Recommended elongation	Min. pulley Ø	Temperature range in °C	Anti-static
54790	GG S06.70 RP6C	7.0	6.0 N/mm	2.0 - 3.0%	90.0 mm	0 to 80	yes

Flexo Folder Gluers

with natural rubber cover for more output and less downtime

Flexo Folder

The 56420 RAPPLON® TG E12.65 FC is a well-known industry solution for flexo folders.

Application tests have shown a high level of friction that allows the belt to pull and hold the blank during the folding operation, without slippage between the belt and the blank (slippage would produce problems such as jamming, skewing, ink smears, uneven folds or glue seams). This means the operator doesn't have to lower the operating speed of the machine, which would reduce production output and profit.

Feeder Strap

56421 RAPPLON® TG E12.50 FC is the first choice feeder strap for Bobst Martin Flexo Folders.

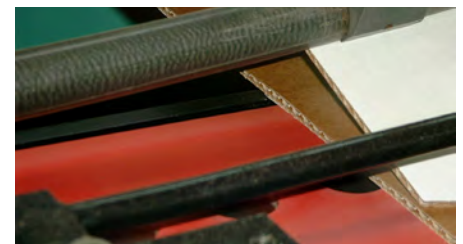
It is highly abrasion-resistant and easy to perforate for vacuum support, making it a perfect solution for this application.



Feeder strap

Stacker Belts

54716 RAPPLON® TG S06.30 RC and 54718 RAPPLON® TG S09.60 RC, both with a high-grip elastomer cover, are ideal choices for a large range of tasks: laminating, cutting, stacking, packaging and punching.



Flexo Folder

56420 TG E12.65 FC and 56421 TG E12.50 FC

Features	Advantage	Benefits
Ultra high grip natural rubber cover	Highly abrasion resistant surface	Extra long service life
Anti-static running side to prevent dust accumulation	No maintenance	Longer periods without downtime
3-ply fabric canvas	Excellent belt tracking, no re-tensioning of belt, excellent hold of mechanical fastener	Higher production speed, quick replacement possible

Technical data

Item code	RAPPLON® belt description	Thickness in mm	Force / belt factor at 1% elongation	Recommended elongation	Min. pulley Ø	Temperature range in °C	Anti-static
56420	TG E12.65 FC	6.5	11.0 N/mm	0.2 - 0.6%	80.0 mm	0 to 80	yes
56421	TG E12.50 FC	5.0	11.0 N/mm	0.2 - 0.6%	80.0 mm	0 to 80	yes
54716	TG S06.30 RC	3.0	6.0 N/mm	2.0 - 3.0%	50.0 mm	0 to 80	yes
54718	TG S09.60 RC	6.1	9.0 N/mm	2.0 - 3.0%	80.0 mm	0 to 80	yes

Local Contacts

... and 150 more service contact points
at ammeraalbeltech.com

Argentina

T +54 11 4218 2906
info-ar@ammeraalbeltech.com

Australia

T +61 3 8780 6000
info-au@ammeraalbeltech.com

Austria

T +43 171728 133
info-de@ammeraalbeltech.com

Belgium

T +32 2 466 03 00
info-be@ammeraalbeltech.com

Canada

T +1 905 890 1311
info-ca@ammeraalbeltech.com

Chile

T +56 2 233 12900
info-cl@ammeraalbeltech.com

China

T +86 512 8287 2709
info-cn@ammeraalbeltech.com

Colombia

T +57 893 9890
info-co@ammeraalbeltech.com

Czech Republic

T +420 567 117 211
info-cz@ammeraalbeltech.com

Denmark

T + 45 7572 3100
info-dk@ammeraalbeltech.com

Finland

T +358 207 911 400
info-fi@ammeraalbeltech.com

France

T +33 3 20 90 36 00
info-fr@ammeraalbeltech.com

Germany

T +49 4152 937-0
info-de@ammeraalbeltech.com

Hungary

T +36 30 311 6099
info-hu@ammeraalbeltech.com

India

T +91 44 265 34 244
info-in@ammeraalbeltech.com

Israel

T +972 4 6371485
info-il@ammeraalbeltech.com

Italy

T +39 051 660 60 06
info-it@ammeraalbeltech.com

Japan

T +81 52 433 7400
info-jp@ammeraalbeltech.com

Luxembourg

T +352 26 48 38 56
info-lu@ammeraalbeltech.com

Malaysia

T +60 3 806 188 49
info-my@ammeraalbeltech.com

Mexico

T +52 55 5341 8131
info-mx@ammeraalbeltech.com

Netherlands

T +31 72 57 51212
info-nl@ammeraalbeltech.com

Poland

T +48 32 44 77 179
info-pl@ammeraalbeltech.com

Portugal

T +351 22 947 94 40
info-pt@ammeraalbeltech.com

Singapore

T +65 62739767
info-sg@ammeraalbeltech.com

Slovakia

T +421 2 55648541-2
info-sk@ammeraalbeltech.com

South Korea

T +82 31 448 3613-7
info-kr@ammeraalbeltech.com

Spain

T +34 93 718 3054
info-es@ammeraalbeltech.com

Sweden

T +46 44 780 3010
info-se@ammeraalbeltech.com

Switzerland

T +41 55 2253 535
info-ch@ammeraalbeltech.com

Thailand

T +66 2 902 2604-13
info-th@ammeraalbeltech.com

Turkey

T +90 232 877 0700
info-tr@ammeraalbeltech.com

United Kingdom

T +44 1992 500550
info-uk@ammeraalbeltech.com

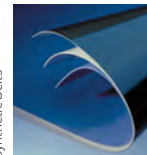
United States

T +1 847 673 6720
info-us@ammeraalbeltech.com

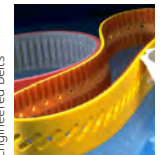
Vietnam

T +84 8 376 562 05
info-vn@ammeraalbeltech.com

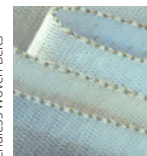
**Expert advice, quality solutions
and local service
for all your belting needs**



Synthetic Belts



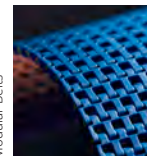
Engineered Belts



Endless Woven Belts



Homogeneous Belts



Modular Belts



Fabrication & Service

General contact information:

Ammeraal Beltech
P.O. Box 38
1700 AA Heerhugowaard
The Netherlands

T +31 (0)72 575 1212
info@ammeraalbeltech.com

ammera.com